

Shimadzu Electronic Balances **TX/TXB/TW** Series



TX_{series}

▶ 4200.00_g

Clearly visible even in dark places



TX2202L , TX3202L , TX4202L

TX/TW_{series}

▶ 420.000_g

Capable of performing delicate jobs



TX223L , TX323L , TX423L , TW223L , TW323L , TW423L

Wider applications ranging from smaller to larger objects



Value with no compromise



TXB_{series}

▶ 6200.0g

Taking on weighing tasks everywhere

TXB_{series}

▶ 620.00g

Reliable partner that creates weighing desires



TXB2201L, TXB4201L, TXB6201L, TXB6200L



TXB222L, TXB422L, TXB622L, TXB621L

Light, strong, high-quality design
can be operated by batteries



Performance to allows quick
weighing of smaller objects anywhere
Creates weighing enjoyment



TX/TXB/TW SERIES

Look , Touch



WindowsDirect Communication Function Only a cable is needed to send weighing data to a computer

TX/TW
TXB

Send balance data to Excel or other Windows applications without any data communication software installation required. All you have to add is one RS-232C cable. By combining standard AutoPrint functions with typical spreadsheet functions, even difficult applications can be easily automated.



Can be used anywhere with battery power

TXB

Power the TXB series balances by AC adapter or batteries.

Comparator function

TX/TW
TXB

Compare samples to target values or pass/fail criteria and clearly indicate the results.

RS232C interface

TX/TW
TXB

All models include standard RS232C interface for easy integration with other devices and computers.

Expanded Piece Counting function

TX/TW
TXB

Unit weights of up to 5 different samples can be easily entered, stored and recalled for use.



Streamlined design for anti-theft options

TX/TW
TXB

Industry-standard Kensington Security Slot accommodates the widest variety of optional anti-theft security devices.

Change among many weighing units and functions with a single touch

TX/TW
TXB

In addition to grams (g), weigh in %, number of pieces, ct, kg, mg, lb, oz, TTI, etc. or a custom conversion unit, more than 20 units in all. Change quickly from display of % or counting to gram weight (g) display.

Power saving function

TX/TW
TXB

When weighing operation ends, power automatically turns off after a fixed or pre-set time.

Fast and flexible calibration

TX/TW
TXB

Balance display provides prompts for the calibration procedure and accepts your choice of external calibration weight.

Many useful functions included

TX/TW
TXB

- Alpha-numeric menu display
- Up-front level indicator on display panel
- Simplified door cleaning
- Stainless steel pan
- Choice of weighing modes
- Zero tracking function and settings
- Continuous data output function



The beginning of the new standard



New



Easy Setting

Easy Setting

Best fit to weighing application

TX/TW
TXB

Quickly adjust the desired ratio of stability and response for every application, even during measurement, with one-touch operation.



New



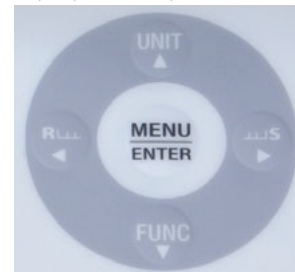
Menu Operation Key

Menu Operation Key

Easy-to-operate key layout

TX/TW
TXB

Menu navigation keys are separated from weighing operation keys and arranged in a familiar 5-way navigation circle. Up, Down, Right, Left and Enter are the simple operational steps.



New

Touch-key Internal Calibration

TW

Press just two keys to calibrate the balance whenever calibration is necessary. Calibration is very fast, taking only 15 sec.

Durable, high-performance aluminum alloy mass sensor

UniBloc Since 1987

TX/TW

The TX/TW series incorporates a one-piece aluminum alloy mass sensor technology (UniBloc), first introduced by Shimadzu for precision balances in 1989. It excels in performance, and resists deterioration and damage by ordinary impacts. The UniBloc's compact, uniform structure replaces 70 parts found in a conventional electromagnetic balance sensor assembly and ensures stable temperature characteristics, excellent response time and stable corner-load performance.

The UniBloc design permits a consistency of production that assures reliability and a long operational life.



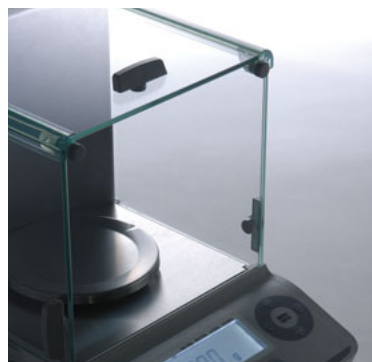
3 Benefits of UniBloc.



Fine measurements are assured with sliding glass door windbreak system

TX/TW

TX/TW models with 1mg minimum display feature a sliding glass door type windbreak as standard configuration. The highly transparent system includes semi-transparent corners and maximum door opening capability.



Illuminated display provides comfortable display visibility in all settings.

TX/TW
TXB

A liquid crystal indicator with an attractive light blue backlight is standard on all models. The TXB series has an additional power-saving feature: the backlight automatically shuts off when idle and lights up again when weighing operations resume.



■ Specifications

TX.TW series

Model	TX223L / TW223L	TX323L / TW323L	TX423L / TW423L	TX2202L	TX3202L	TX4202L
Capacity	220g	320g	420g	2200g	3200g	4200g
Minimum Display	0.001g	0.001g	0.001g	0.01g	0.01g	0.01g
Repeatability	0.001g			0.01g		
Linearity	±0.002g			±0.02g		
Operating Ambient Temperature (°C)	5 ~ 40					
Temperature Coefficient Sensitivity (ppm/°C)(10 ~ 30°C)	±3					
Pan Size (mm) approx.	φ110			167(W)×181(D)		
Main Body Dimensions (mm) approx.	206(W)×291(D)×241(H)			200(W)×291(D)×80(H)		
Weight (kg) approx.	TX: 3.8kg TW: 4.2kg			2.8kg		
Power requirements	12V, 1A					

TXB series

Model	TXB222L	TXB422L	TXB622L	TXB2201L	TXB4201L	TXB6201L	TXB621L	TXB6200L
Capacity	220g	420g	620g	2200g	4200g	6200g	620g	6200g
Minimum Display	0.01g			0.1g				1g
Repeatability	0.01g			0.1g				1g
Linearity	±0.01g	±0.02g		±0.1g	±0.2g		±0.1g	±1g
Operating Ambient Temperature (°C)	5 ~ 40							
Temperature Coefficient Sensitivity (ppm/°C)(10 ~ 30°C)	±15	±10	±5	±15	±10	±5	±20	
Pan Size (mm)	φ110			φ160			φ110	φ160
Main Body Dimensions (mm) approx.	199(W)×260(D)×77(H)							
Weight (kg) approx.	1.5kg							
Power requirements	12V 1A or 6AA batteries							

TX.TXB.TW series options

Description
Printer EP-80
Printer EP-90
RS232C cable
In-use protective cover
In-use protective cover for Display

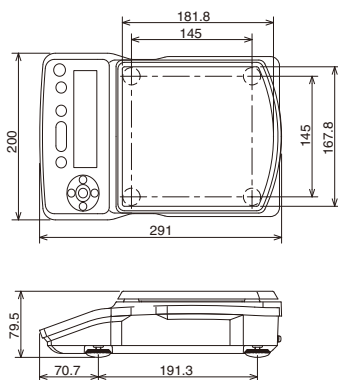


**Extremely capable,
but easy to operate**

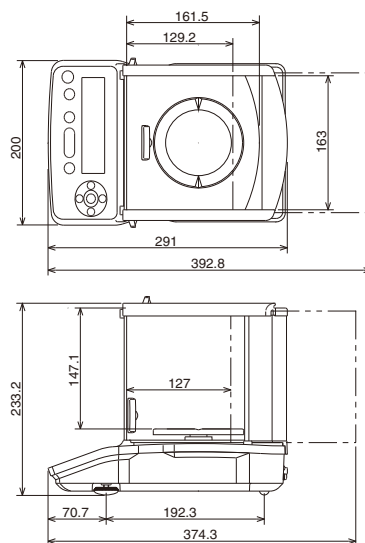


■ Dimensions

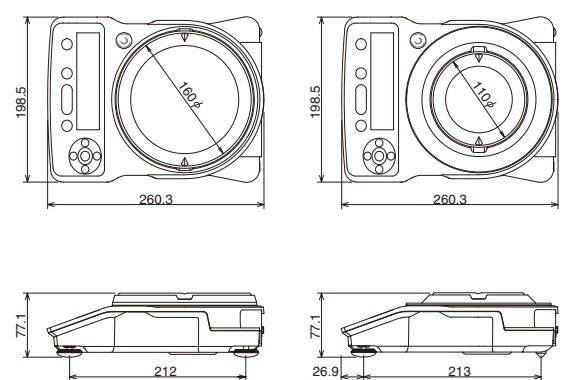
TX series (large pan)



TX TW series (small pan)



TXB series



GA



SHIMADZU CORPORATION. International Marketing Division

3. Kanda-Nishikicho 1-chome, Chiyoda-ku, Tokyo 101-8448, Japan Phone: 81(3)3219-5641 Fax: 81(3)3219-5710
Cable Add.: SHIMADZU TOKYO
<http://www.shimadzu.com/>

SHIMADZU SCIENTIFIC INSTRUMENTS, INC.
7102, Riverwood Drive, Columbia, Maryland
21046, U.S.A.
Phone: 1(410)381-1227
Fax: 1(410)381-1222
<http://www.ssi.shimadzu.com/>

SHIMADZU (ASIA PACIFIC) PTE LTD.
79 Science Park Drive, #02-01/08, Cintech IV,
Singapore Science Park 1, Singapore 118264
Phone: (65)6778-6280
Fax: (65)6779-2935
<http://www.shimadzu.com.sg/>

SHIMADZU DO BRASIL COMERCIO LTDA.
Avenida Marques de Sao Vicente, 1771 Barra
Fundada
CEP: 01139-003 - Sao Paulo, SP - Brazil
Phone: 55(11)2134-1688
Fax: 55(11)3611-2209
<http://www.shimadzu.com.br/>

SHIMADZU SCIENTIFIC INSTRUMENTS
(OCEANIA) PTY. LTD.
Units F, 10-16 South Street Rydalmere N.S.W.
2116, Australia
Phone: 61(2)9684-4200
Fax: 61(2)9684-4055
<http://www.shimadzu.com.au/>

SHIMADZU EUROPA GmbH
Albert-Hahn-Strasse 6-10, 47269 Duisburg,
F.R. Germany
Phone: 49(203)7687-0
Fax: 49(203)7666-25
<http://www.shimadzu.eu/>

SHIMADZU INTERNATIONAL TRADING
(SHANGHAI) CO., LTD.
PUXI BRANCH
Block E, No. 570 West Huaihai Road, Shanghai
200052 P.R. China
Phone: 86(21)2201-3888
Fax: 86(21)2201-3666
<http://www.shimadzu.net.cn/>

SHIMADZU MIDDLE EAST & AFRICA FZE
UAE HEAD OFFICE
Warehouse No. RA08UC02, Jebel Ali, Dubai
P.O. BOX 262081 United Arab Emirates
Phone: 971(4)883-6668
Fax: 971(4)883-6808

