

IMPORTED MICROSCOPE 1319 – 1B

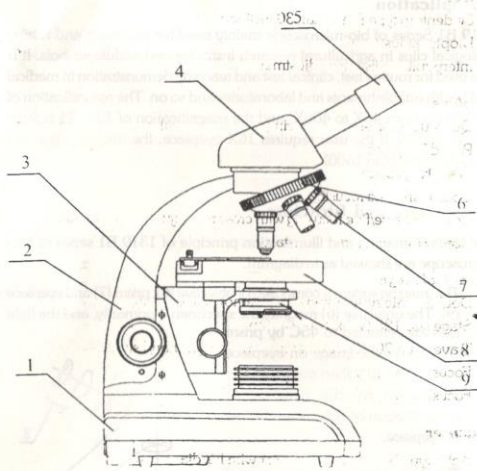


Diagram 2

- | | |
|---------------------------|---------------|
| 1 - Stand | 6 - Nosepiece |
| 2 - Arm | 7 - Objective |
| 3 - Rise and Fall Support | 8 - Stage |
| 4 - Eyepiece Head | 9 - Condenser |
| 5 - Eyepiece | |

III. Specifications

Magnification Range

40x-1000x

Eyepiece

Scidentop type Binocular, 30 inclined
Diopter adjustment
Interpupillary distance adjustment: 55-75mm

Nosepiece

Quadruple click-stop, revolving mechanism with multiple ball bearing
Paired Eyepiece Lens:
WF 10x eyepiece
Coarse and fine focusing:
Coaxial coarse/fine focusing with cross roller guide incorporated
Coarse motion torque adjustable

Mechanical stage

Double-plate system stage with Removable slide holder
Stage size 125 (W) x 120 (D) mm
Travel area 70 (X) x 30 (Y) mm with a right-hand stage handle
Focusing range : 20 mm
Focusing range : 0.002mm

Condenser

Abbe type N.A. 1.25 condenser with Iris diaphragm

Objective lenses

Achromat 4x, N.A. 0.10
Achromat 10x, N.A. 0.25
Achromat 40x, N.A. 0.65, spring loaded
Achromat 100x oil, N.A. 1.25, spring loaded

Illumination

Halogen 6V-20W
Build-in Illuminator system
Adjustable brightness