

Shimadzu UniBloc Analytical Balances

ATX/ATY

series





**Durable, high-performance aluminum alloy mass sensor
UniBloc** Since 1989

The ATX/ATY series incorporates a one-piece aluminum alloy mass sensor technology (UniBloc), first introduced by Shimadzu for precision balances in 1989. It excels in performance, and resists deterioration and damage by ordinary impacts. The UniBloc's compact, uniform structure replaces 70 parts found in a conventional electromagnetic balance sensor assembly and ensures stable temperature characteristics, excellent response time and stable corner-load performance. The UniBloc design permits a consistency of production that assures reliability and a long operational life.

 **Touch-key calibration**

Automated calibration can be started by pressing keys. (ATX series)
Also, your external calibration weights can be used for span calibration.
(All models)



3 Benefits of UniBloc.





 **Easy Setting**
Best fit to weighing application

Quickly adjust the desired ratio of stability and response for every application, even during measurement, with one-touch operation.



 **Expanded Piece Counting function**

Unit weights of up to 5 different samples can be easily entered, stored and recalled for use.

 **Comparator function**

Compare samples to target values or pass/fail criteria and clearly indicate the results.

 **Formulation mode**

Convenient for making many measurements of minute samples and seeking the total mass.

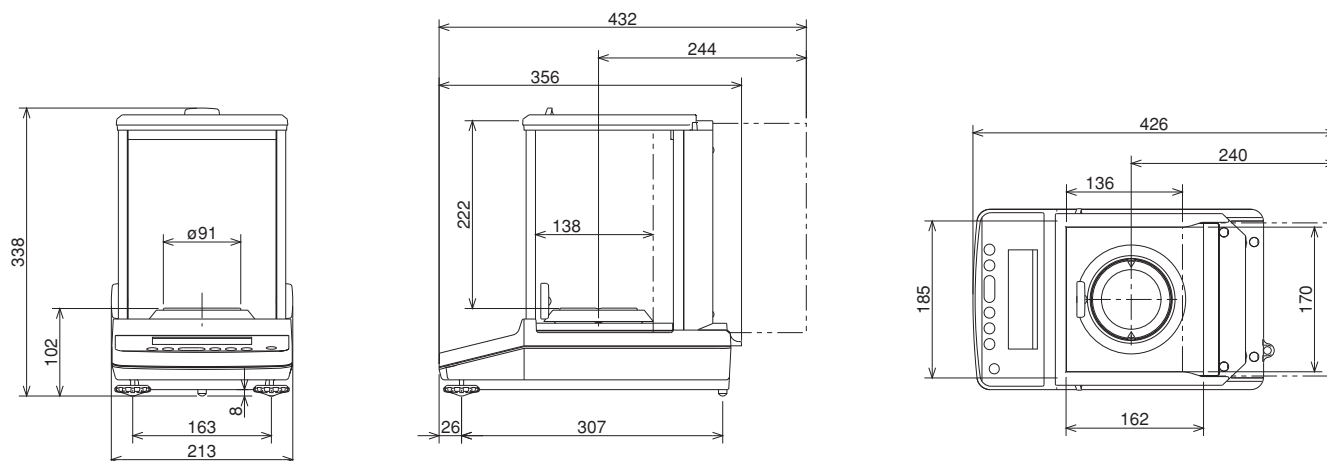
 **WindowsDirect Communication Function**

Send balance data to Excel or other Windows applications without any data communication software installation required. By combining standard AutoPrint functions with typical spreadsheet functions, even difficult applications can be easily automated.

*RS232C interface is needed.



■ Dimensions



■ Specifications

ATX/ATY series

Model	ATX84	ATX124	ATX224	ATY64	ATY124	ATY224
Capacity	82g	120g	220g	62g	120g	220g
Minimum Display	0.1mg					
Pan Size (mm) approx.	φ 91					
Main Body Dimensions (mm) approx.	213(W)×356(D)×338(H)					
Weight (kg) approx.	6.2			6.0		
Power requirement	12V, 1A					
Internal Calibration	●			—		

■ Option

Description
EP-80 Printer
EP-90 Printer
RS-232C interface IFB-102A-UNC
RS-232C Cable 25P-9P
Protection Cover
STABLO-EX
USB conversion kit



SHIMADZU CORPORATION. International Marketing Division

3. Kanda-Nishikicho 1-chome, Chiyoda-ku, Tokyo 101-8448, Japan Phone: 81(3)3219-5641 Fax: 81(3)3219-5710
 Cable Add.: SHIMADZU TOKYO
<http://www.shimadzu.com/>

SHIMADZU SCIENTIFIC INSTRUMENTS, INC.
 7102, Riverwood Drive, Columbia, Maryland
 21046, U.S.A.
 Phone: 1(410)381-1227
 Fax: 1(410)381-1222
<http://www.ssi.shimadzu.com/>

SHIMADZU EUROPA GmbH
 Albert-Hahn-Strasse 6-10, 47269 Duisburg,
 F.R. Germany
 Phone: 49(203)7687-0
 Fax: 49(203)7666-25
<http://www.shimadzu.eu/>

SHIMADZU (ASIA PACIFIC) PTE LTD.
 79 Science Park Drive, #02-01/08, Cintech IV,
 Singapore Science Park 1, Singapore 118264
 Phone: (65)6778-6280
 Fax: (65)6779-2935
<http://www.shimadzu.com.sg/>

SHIMADZU INTERNATIONAL TRADING
 (SHANGHAI) CO., LTD.
 PUXI BRANCH
 Block E, No. 570 West Huaihai Road, Shanghai
 200052 P.R. China
 Phone: 86(21)2201-3888
 Fax: 86(21)2201-3666
<http://www.shimadzu.net.cn/>

SHIMADZU DO BRASIL COMERCIO LTDA.
 Avenida Marques de Sao Vicente, 1771 Barra
 Funda
 CEP: 01139-003 - Sao Paulo, SP - Brazil
 Phone: 55(11)2134-1688
 Fax: 55(11)3611-2209
<http://www.shimadzu.com.br/>

SHIMADZU MIDDLE EAST & AFRICA FZE
 UAE HEAD OFFICE
 Warehouse No. RA08UC02, Jebel Ali, Dubai
 P.O. BOX 262081 United Arab Emirates
 Phone: 971(4)883-6668
 Fax: 971(4)883-6808

SHIMADZU SCIENTIFIC INSTRUMENTS
 (OCEANIA) PTY. LTD.
 Units F, 10-16 South Street Rydalmere N.S.W.
 2116, Australia
 Phone: 61(2)9684-4200
 Fax: 61(2)9684-4055
<http://www.shimadzu.com.au/>

